

Speaker

Model: OSS31-7030-16A2.0W8-W



ELECTRICAL SPECIFICATIONS

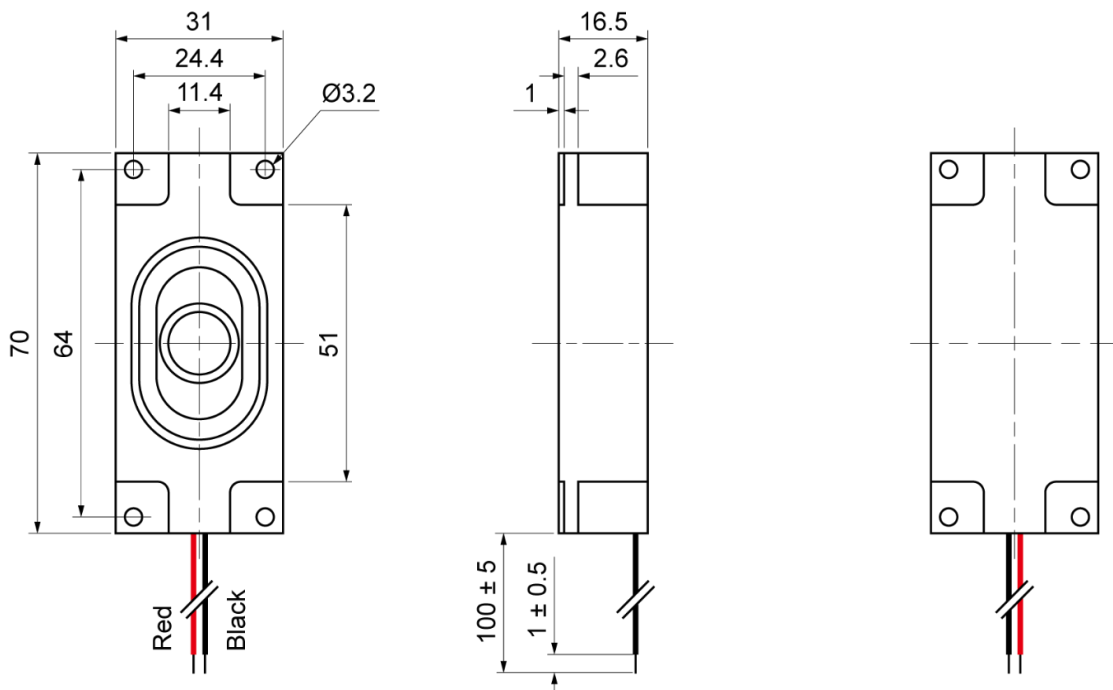
| | Condition | Parameter | Unit |
|-------------------------|--|------------|------|
| Sound Pressure Level | at 0.1W, 0.1M [at 1.0, 1.18, 1.5, 1.8KHz] | 90 ± 3 | dB |
| Impedance | at 1V, 1000Hz | 8 ± 15% | Ω |
| Rated Input Power | | 2 | W |
| Max Input Power | | 3 | W |
| Resonant Frequency (Fo) | at 1V | 710 ± 20% | Hz |
| Frequency Range | | F0 ~ 20000 | Hz |
| Buzzer & Rattles | not be audible at sine wave between 200 ~ 2KHz | 4 | V |
| Operating Temperature | | -20 ~ 60 | °C |
| Magnet | | Nd-Fe-B | |
| Frame Material | | ABS | |
| Cone Material | | Paper | |
| Weight | | 25 | g |

MECHANICAL DRAWING

Dimensions in mm

Wire: 100mm, UL1007 26AWG

Tolerance ±0.5mm Except Specified



Speaker

Model: OSS31-7030-16A2.0W8-W

FREQUENCY RESPONSE CURVE

